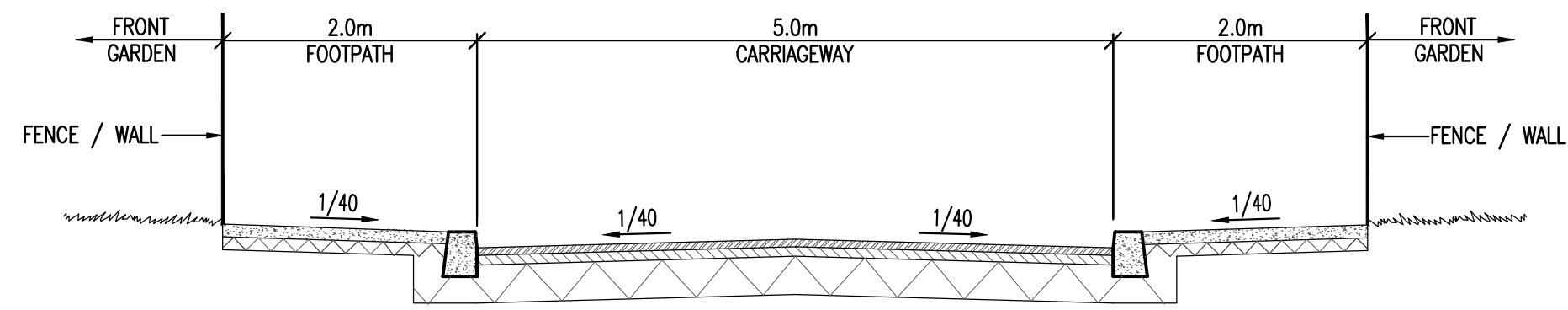
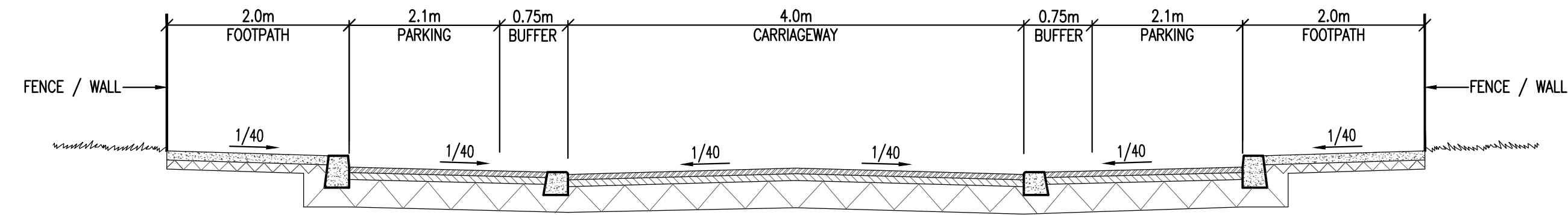


NOTES:

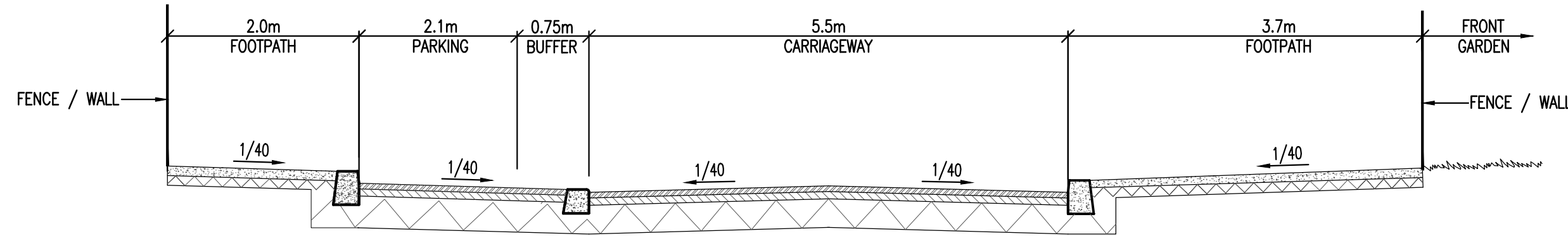
1. DO NOT SCALE. USE FIGURED DIMENSIONS ONLY.
2. THIS DRAWING IS TO BE READ IN CONJUNCTION WITH ALL OTHER RELEVANT ARCHITECTURAL AND ENGINEERING DRAWINGS.



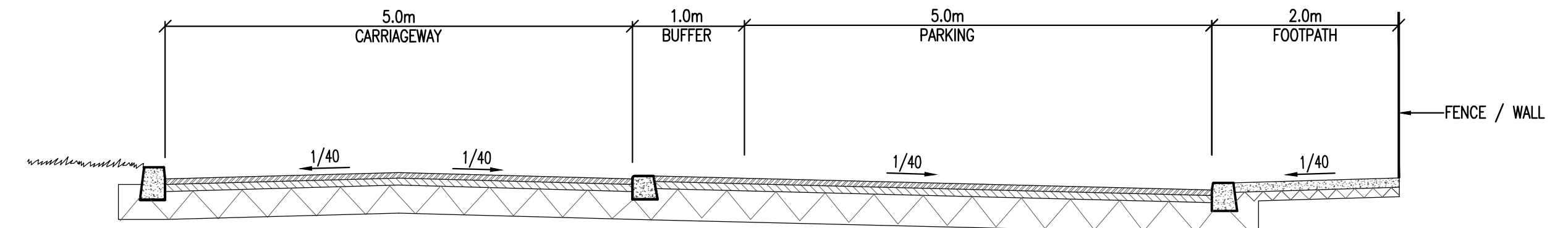
SECTION I-I - P1101
ROAD 3
SCALE 1:50



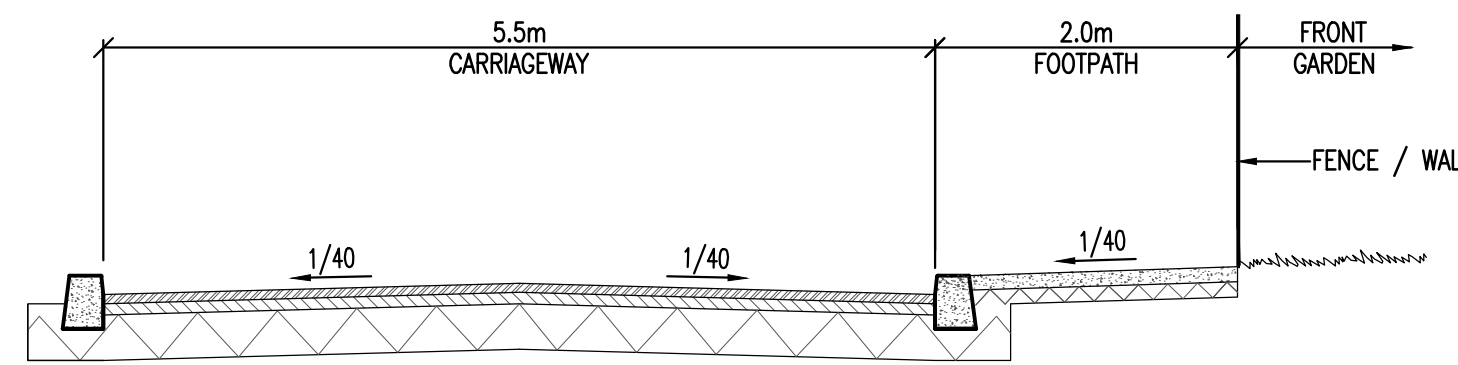
SECTION O-O - P1103
ROAD 10
SCALE 1:50



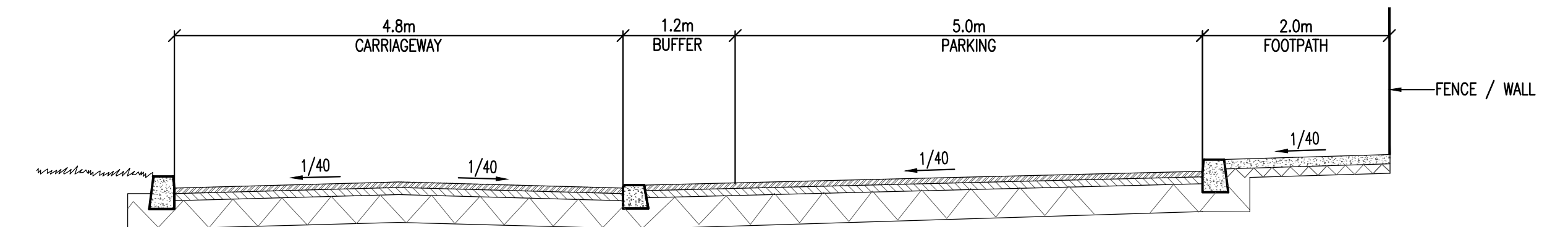
SECTION J-J - P1102
ROAD 7
SCALE 1:50



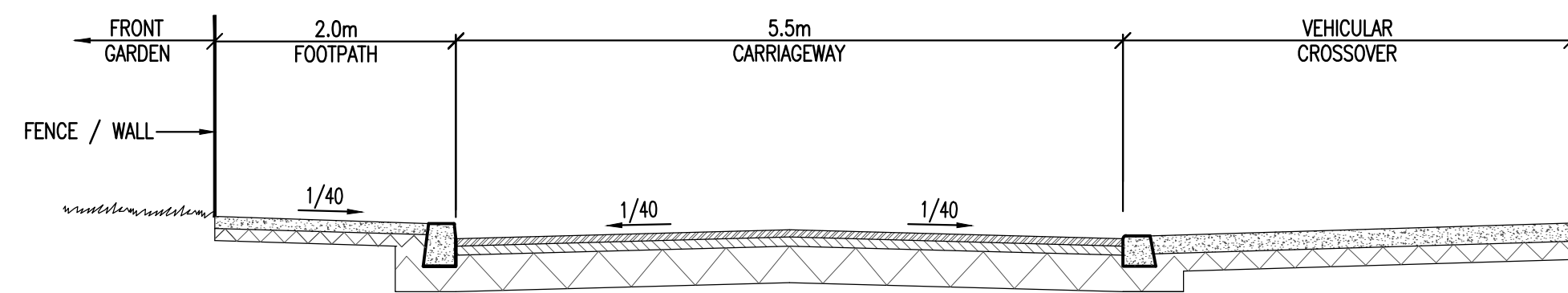
SECTION P-P - P1103
ROAD 10.2
SCALE 1:50



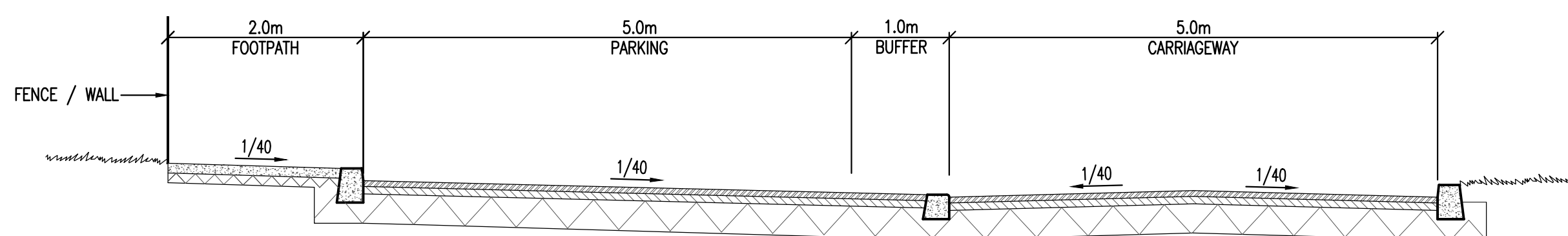
SECTION K-K - P1102
ROAD 1
SCALE 1:50



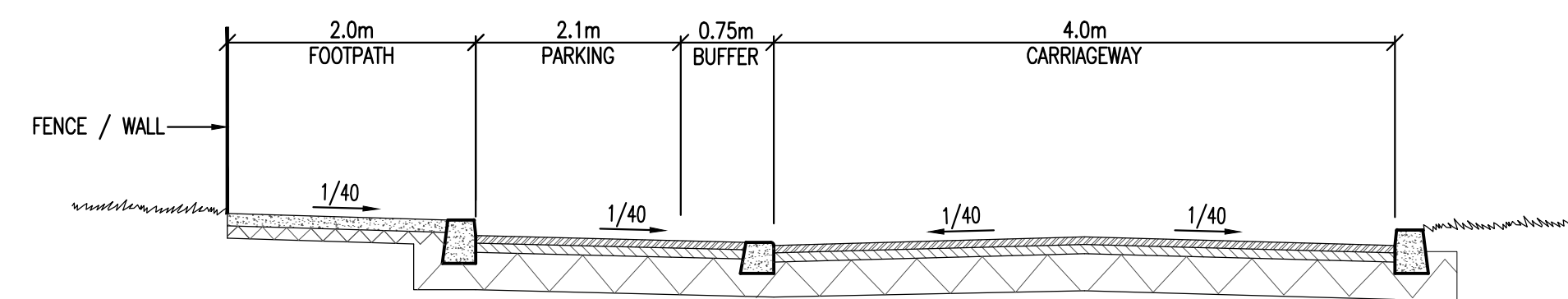
SECTION R-R - P1103
ROAD 10.3
SCALE 1:50



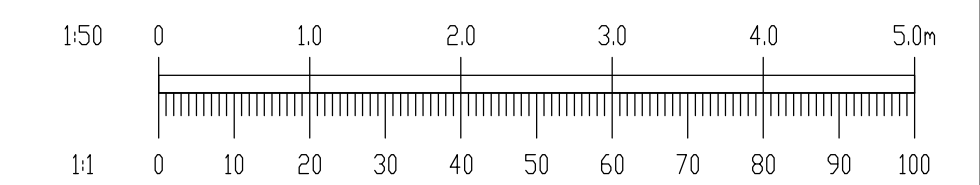
SECTION L-L - P1102
ROAD 9
SCALE 1:50



SECTION M-M - P1102
ROAD 8
SCALE 1:50



SECTION N-N - P1103
ROAD 10
SCALE 1:50



REV.	DATE	AMENDMENT	DRN	APPD

STATUS **PLANNING**

Waterman Moylan
Engineering Consultants
BLOCK 5, EASTPOINT BUSINESS PARK, ALFIE BYRNE ROAD,
DUBLIN D03 H3F4 IRELAND.
Tel: (01) 664 8900 Fax: (01) 661 3618
Email: info@waterman-moylan.ie www.waterman-moylan.ie

CLIENT **GERARD GANNON PROPERTIES**
ARCHITECT **CONROY CROWE KELLY ARCHITECTS**

PROJECT **PHASE 5, MIXED USED DEVELOPMENT, OLDTOWN, SWORDS**

TITLE **ROAD DETAILS AND SECTIONS SHEET 3 OF 3**

DRAWN MS	DESIGNED MD	APPROVED MD	DATE MARCH 2022
SCALE AS SHOWN @ A1	JOB NO. 17-144	DRG. NO. P1122	REVISION